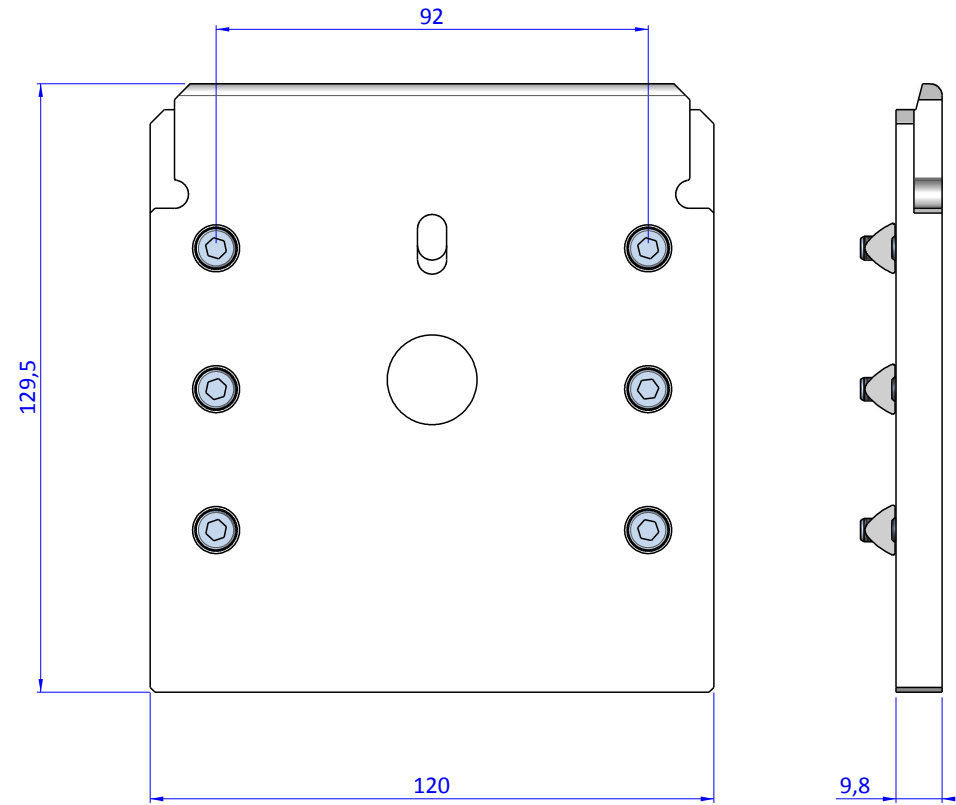
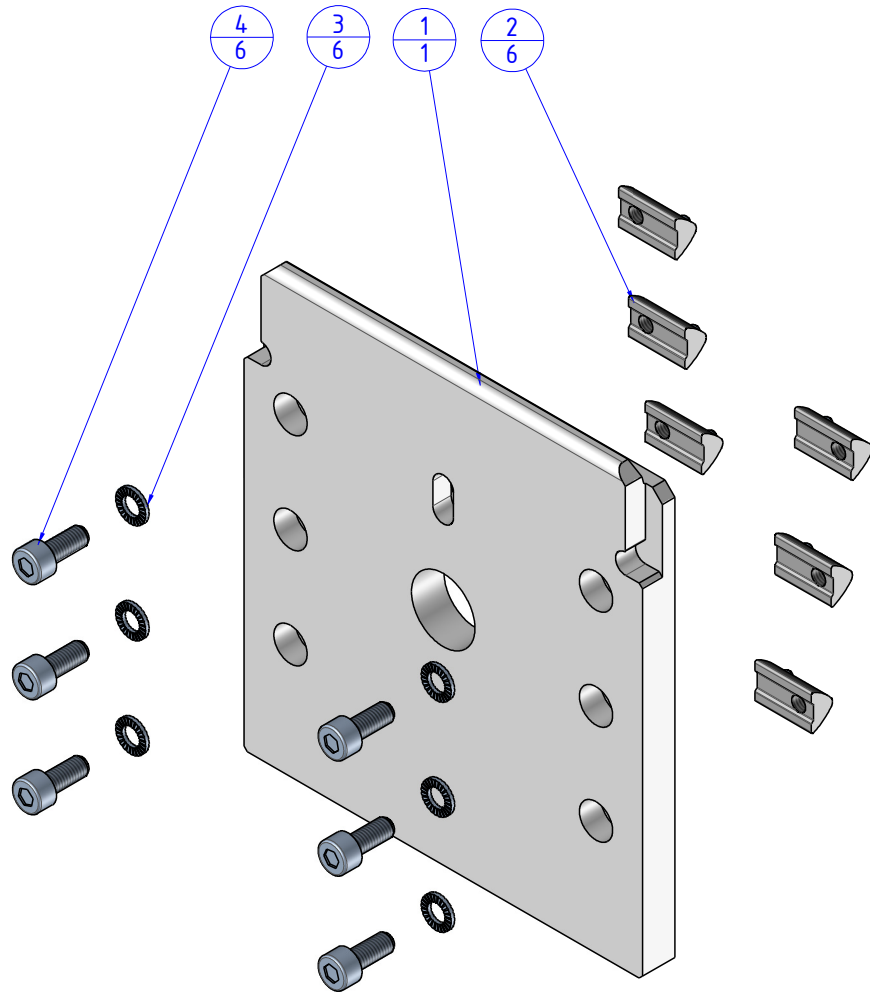



THE PROPERTY OF THE DRAWING IS ESTABLISHED BY LAW. IT IS FORBIDDEN TO PRODUCE OR SHOW IT TO THIRD PARTY, WITHOUT A WRITTEN AGREEMENT.

Item	Name	Q. ty
1	CA.01.02.004A	1
2	CA.02.05.005	6
3	R.5.SCH	6
4	V.TCE5x12	6



Format A3

UNI 936-76

 FPS FPSERVICES AUTOMATION		DESIGNED FROM		REVIEW
		FPS Automation		A
GENERAL TOLERANCE		DATE	WEIGHT	
UNI - ISO 2768		01/08/2019	0,427kg	
CLASSE f		CODE		
		CA.01.02.004A.6		CA.01.02.004A.6